

Endur i9

1200 x 1000



Strong plastic pallet for big bags and heavy loads up to 1500 kg in the high rack

Made of impact-resistant PP – no metal reinforcements – this pallet is ideal for semi-hygienic applications and for high-rotation usage such as open or closed pools. The pallet is made using gas-assist technology, meaning that internal gas channels are used to make the pallet extra strong. This benefit is especially useful when the pallet is used in racks. The best solution for heavy loads and big-bags.

Bottom support



> 5 runners (5R)

Deck options



> open deck (OD)



Standard: anti-slip rubber inserts in upper and lower deck



In option available: anti-slip strips



Rounded borders reduces the risk of fork access damage.

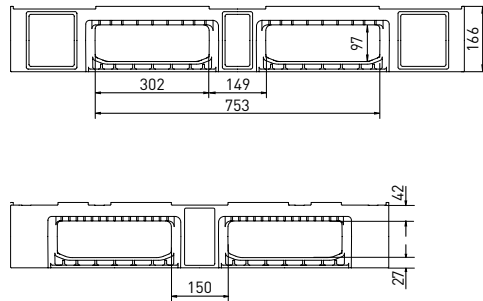
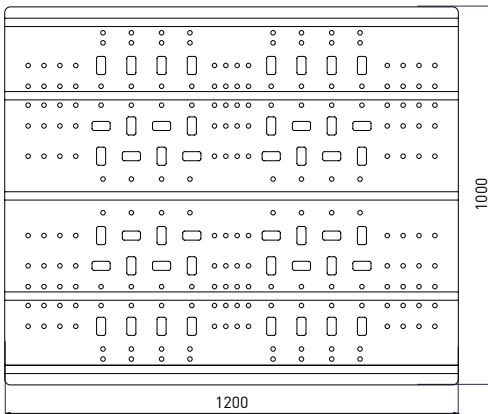


The excellent design guarantees a long life span.

Technical data*1

	Bottom support	Top deck	Dimensions [mm]	Load capacities*2 [kg]			Weight [kg]		Pallets per	
				Static	Dynamic	Racking	PP	PO	Stack	Truck
Endur i9 (OD-5R)	5 runners	open	1200 x 1000 x 165	6000	3000	1500	26,0	—	15	390

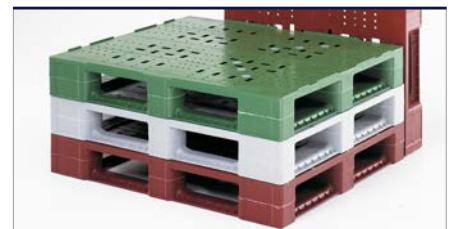
Entry: 4 ways | Nesting height: – | Safety rim: 7 mm



nominal sizes in mm

Options

- Color: (other colors on request*3) > Individual marking*3
- Anti-slip: safety rim (standard), strips on deck, > RFID transponders
grommets on deck, grommets under deck > Fire retardant
- ESD prevention: anti-static



*1 Figures can vary depending on the raw material used and options applied. *2 Guideline values are based both on experience and parts of test ISO 8611, which tests with evenly distributed loads at room temperature (20°C). Varying data may result from different conditions of usage. Your specific requirements can be identified upon request. *3 Minimum quantity required - PO pallets should only be used and stored in a dry environment. We reserve the right to change any of the stated information without prior notice.